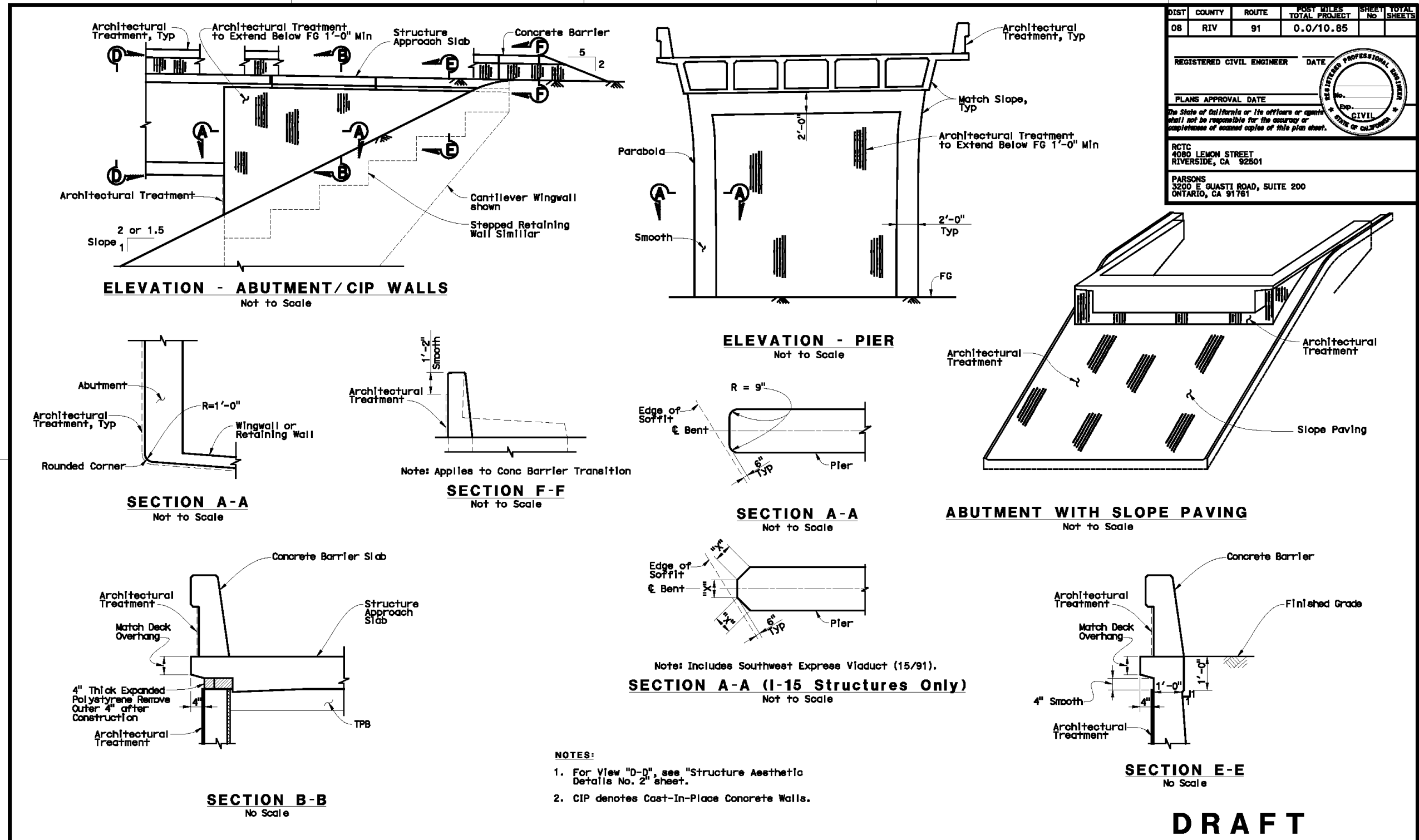
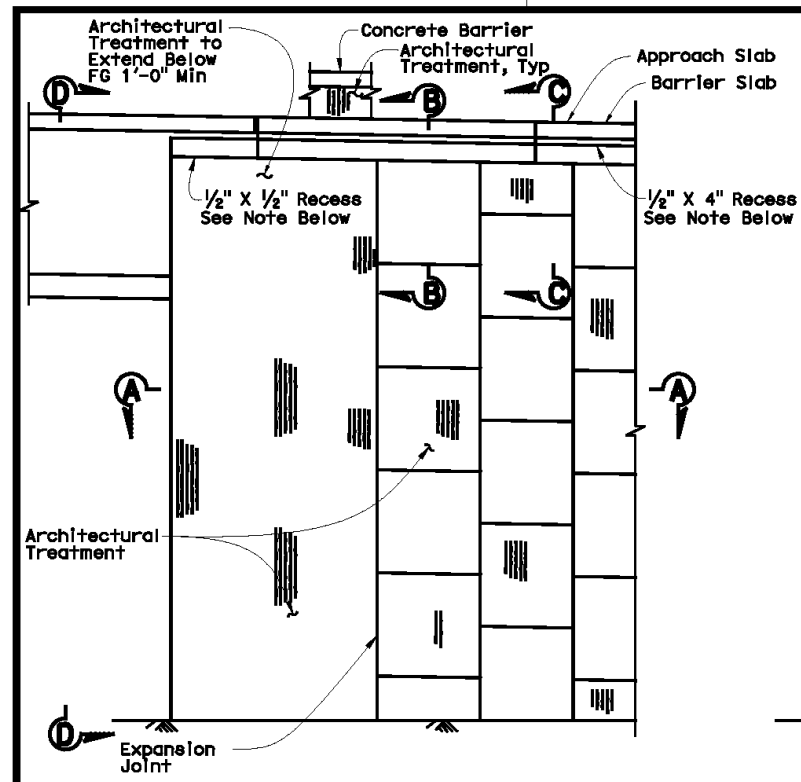
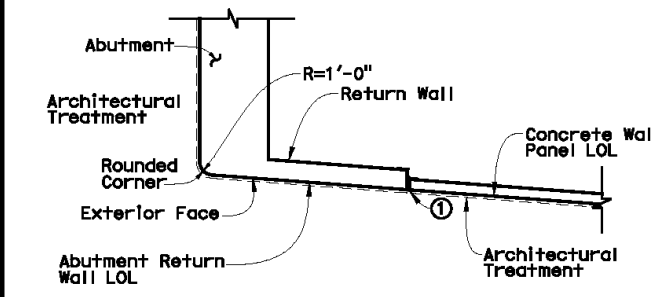

TP ATTACHMENT 14-1 – STRUCTURE AESTHETIC DETAILS

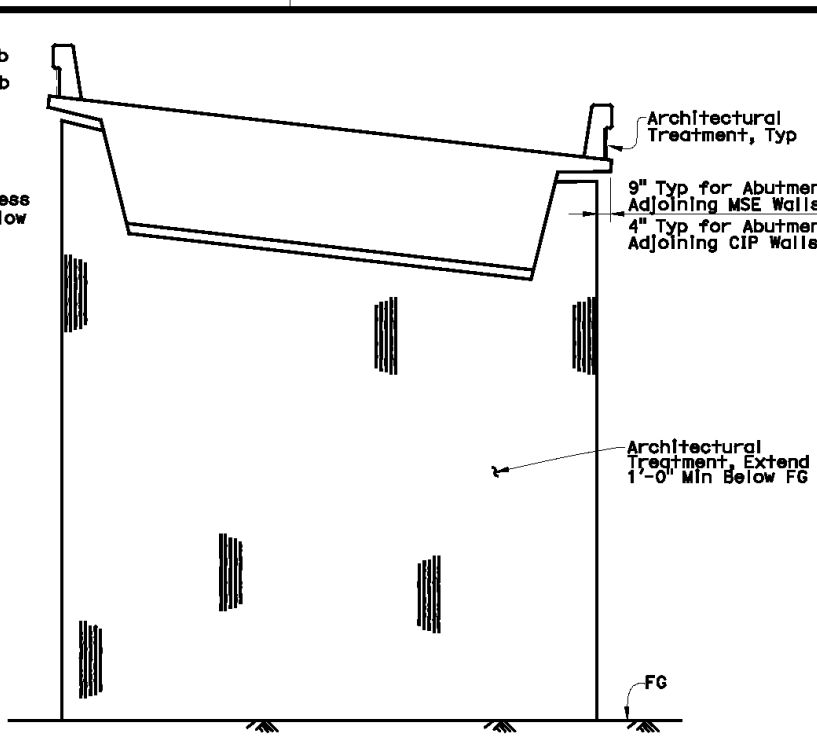




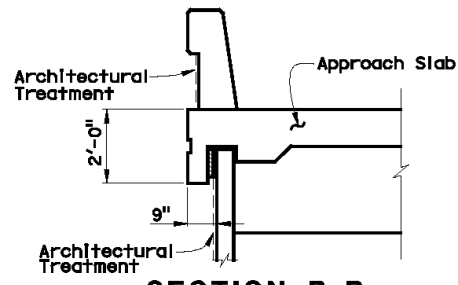
ELEVATION - ABUTMENT/MSE WALLS
 Not to Scale



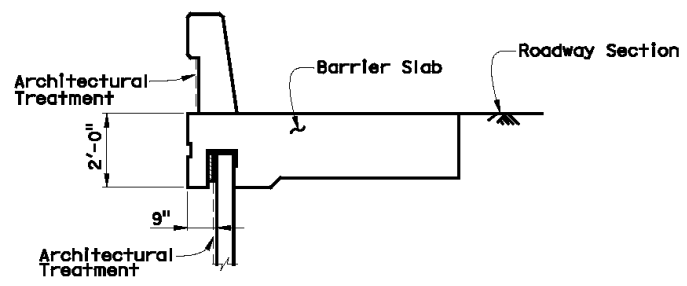
SECTION A-A
 Not to Scale



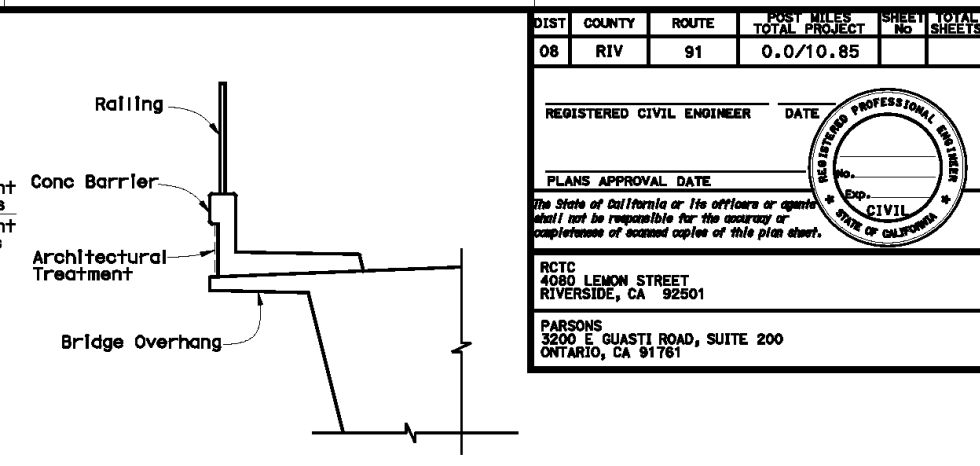
VIEW D-D
 Not to Scale



SECTION B-B
 No Scale

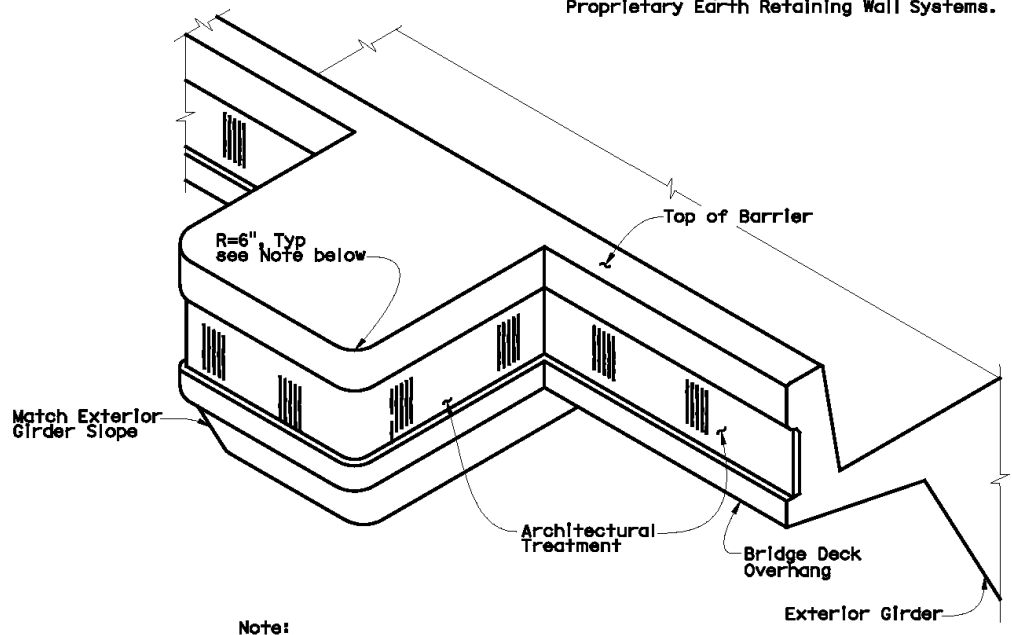


SECTION C-C
 No Scale



CONCRETE BARRIER WITH SIDEWALK
 Not to Scale

NOTES:
 1. MSE denotes Mechanically Stabilized Embankment Type Walls or other Proprietary Earth Retaining Wall Systems.



OVERHEAD SIGN SUPPORT ON BRIDGE
 Not to Scale

DRAFT

DIST	COUNTY	ROUTE	POST MILES TOTAL PROJECT	SHEET NO	TOTAL SHEETS
08	RIV	91	0.0/10.85		

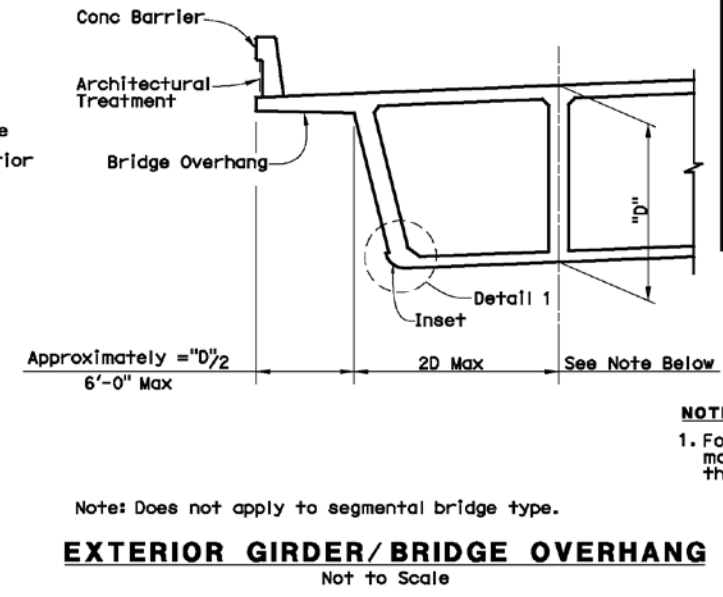
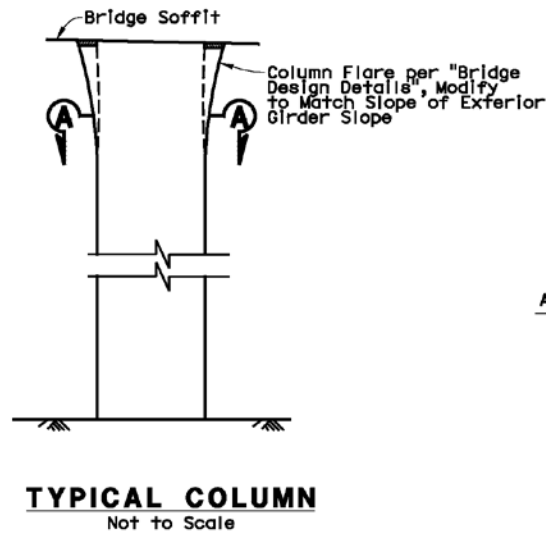
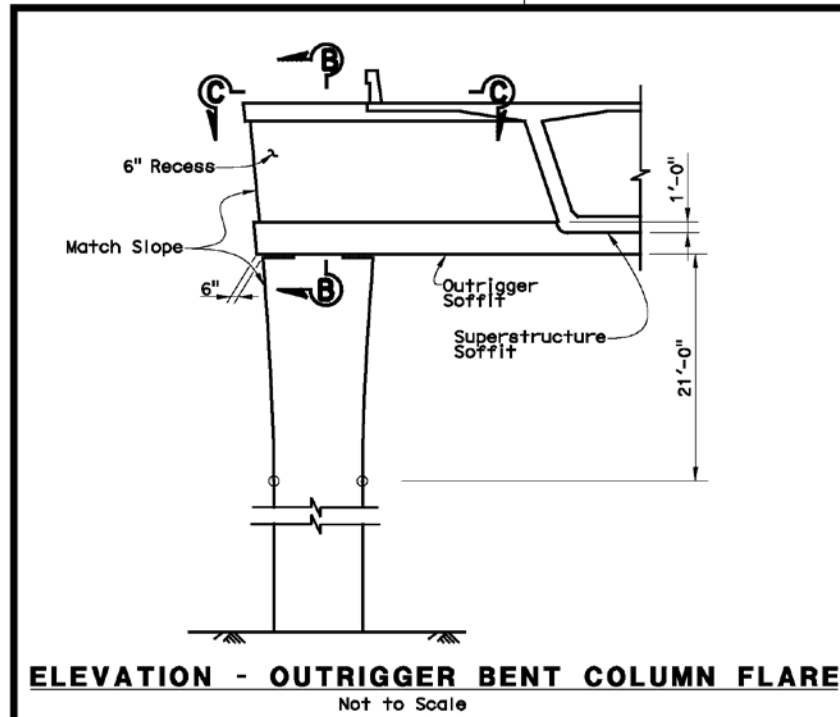
REGISTERED CIVIL ENGINEER	DATE
PLANS APPROVAL DATE	

The State of California or its officers or agents shall not be responsible for the accuracy or completeness of scanned copies of this plan sheet.

RCTC
 4080 LEMON STREET
 RIVERSIDE, CA 92501

PARSONS
 3200 E GUASTI ROAD, SUITE 200
 ONTARIO, CA 91761

DESIGN OVERSIGHT	DESIGN BY	CHECKED	PREPARED FOR THE	BRIDGE NO.	SR-91 CORRIDOR IMPROVEMENT PROJECT
SIGN OFF DATE	DETAILS BY	CHECKED	STATE OF CALIFORNIA	56-XXXX	STRUCTURE AESTHETIC DETAILS No.2
DESIGN DETAIL SHEET (ENGLISH) (REV. 08-01-08)	QUANTITIES BY	CHECKED	DEPARTMENT OF TRANSPORTATION	POST MILE	
			Moheem Moheem		
			PROJECT ENGINEER		
			CU		
			EA		



DIST	COUNTY	ROUTE	POST MILES TOTAL PROJECT	SHEET No	TOTAL SHEETS
08	RIV	91	0.0/10.85		

REGISTERED CIVIL ENGINEER DATE

PLANS APPROVAL DATE

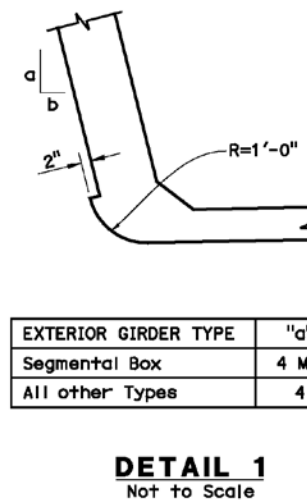
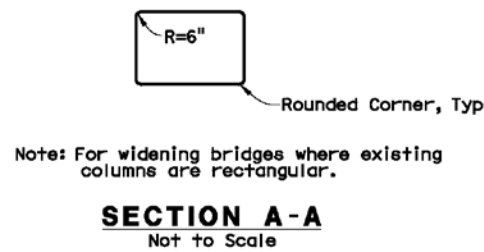
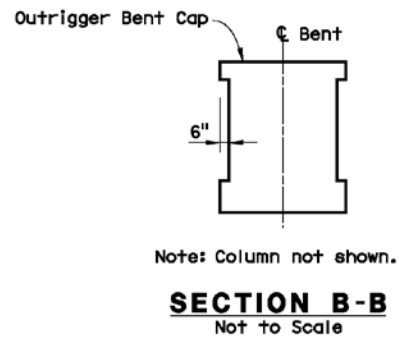
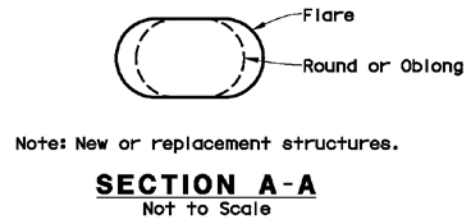
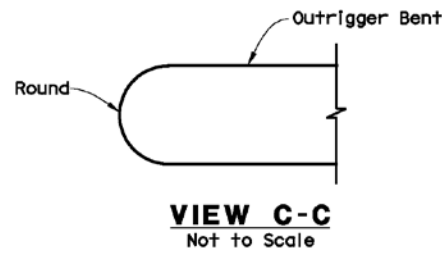
The State of California or its officers or agents shall not be responsible for the accuracy or completeness of scanned copies of this plan sheet.

RCTC
4080 LEMON STREET
RIVERSIDE, CA 92501

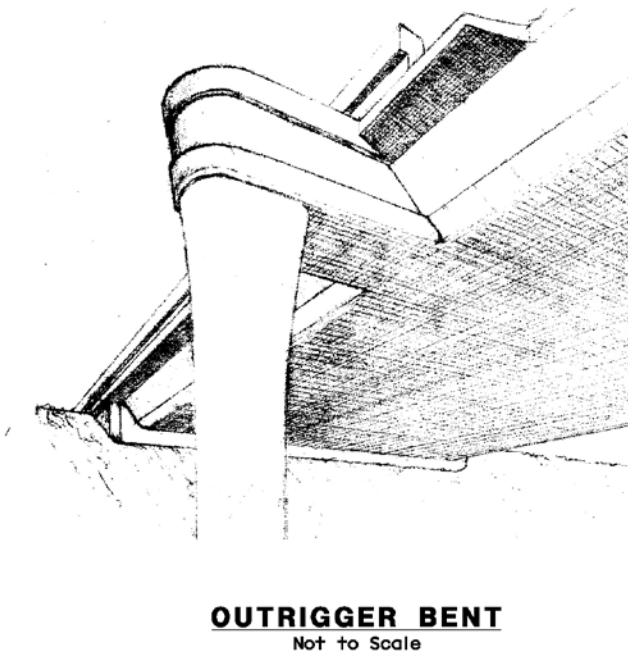
PARSONS
3200 E GUASTI ROAD, SUITE 200
ONTARIO, CA 91761

NOTE:
1. For bridge widening on one side only, match exterior girder shape to the existing one from the opposite side.

Note: Does not apply to segmental bridge type.



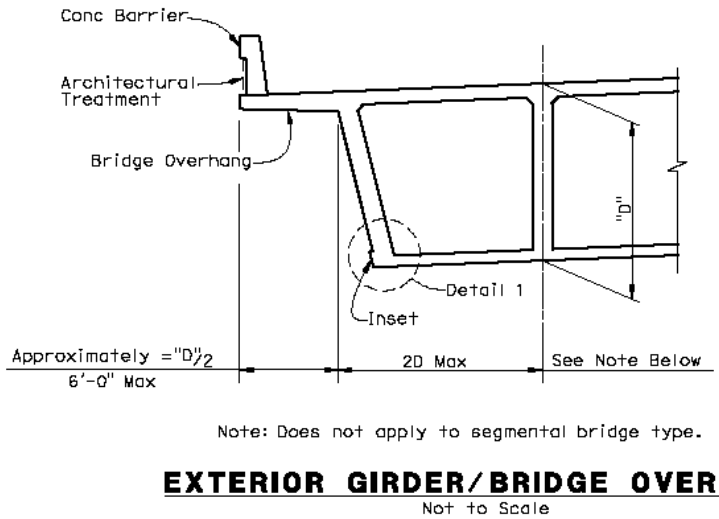
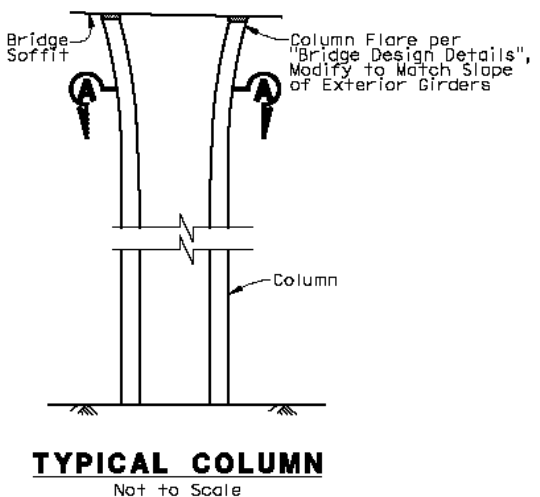
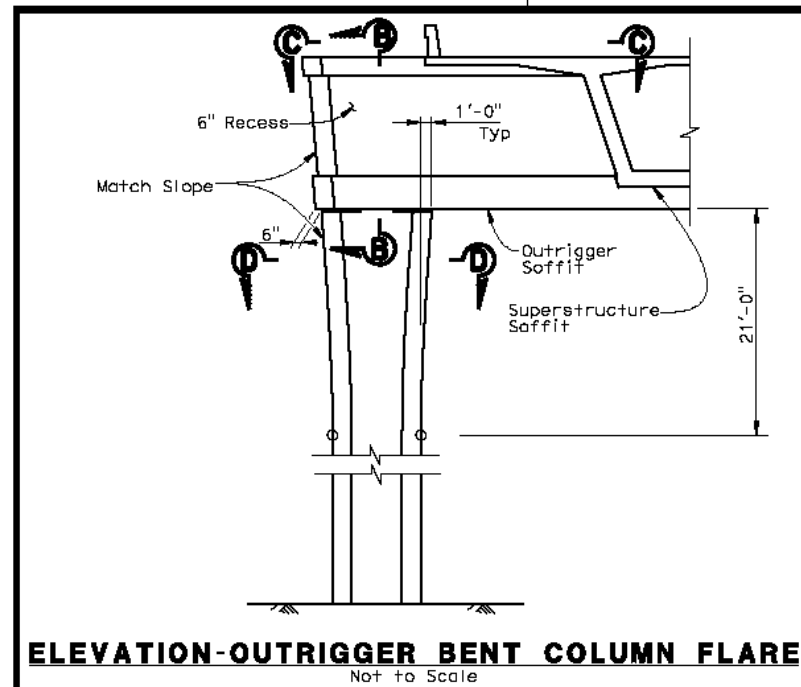
EXTERIOR GIRDER TYPE	"a"	"b"
Segmental Box	4 Max	1
All other Types	4	1



SR-91 STRUCTURES

DRAFT

DESIGN OVERSIGHT	DESIGN BY	CHECKED	PREPARED FOR THE STATE OF CALIFORNIA DEPARTMENT OF TRANSPORTATION	MOHEEN MOHSEN! PROJECT ENGINEER	BRIDGE NO. 56-XXXX	SR-91 CORRIDOR IMPROVEMENT PROJECT
SIGN OFF DATE	DETAILS BY	CHECKED	CU EA		POST MILE	STRUCTURE AESTHETIC DETAILS No. 3
DESIGN DETAIL SHEET (ENGLISH) (REV. 06-01-09)	QUANTITIES BY	CHECKED	ORIGINAL SCALE IN INCHES FOR REDUCED PLANS	FILE -> #REQUEST	DISREGARD PRINTS BEARING EARLIER REVISION DATES	REVISION DATES (PRELIMINARY STAGE ONLY)



DIST	COUNTY	ROUTE	POST MILES TOTAL PROJECT	SHEET No	TOTAL SHEETS
08	RIV	91	0.0/10.85		

REGISTERED CIVIL ENGINEER DATE _____

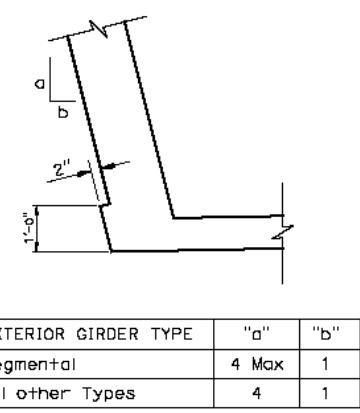
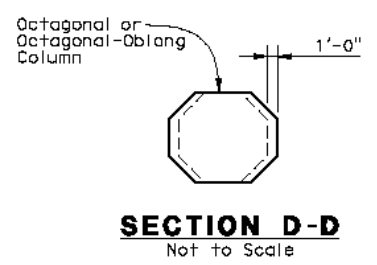
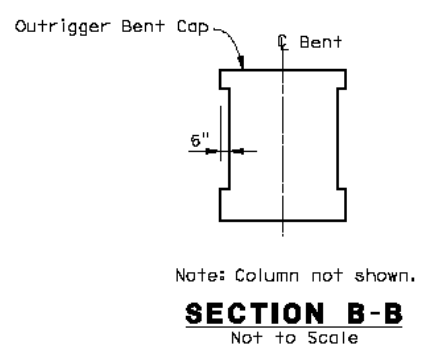
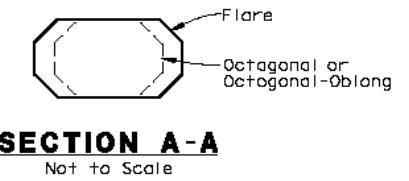
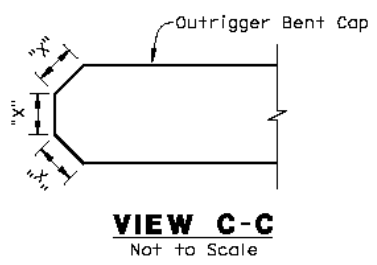
PLANS APPROVAL DATE _____

The State of California or its officers or agents shall not be responsible for the accuracy or completeness of scanned copies of this plan sheet.

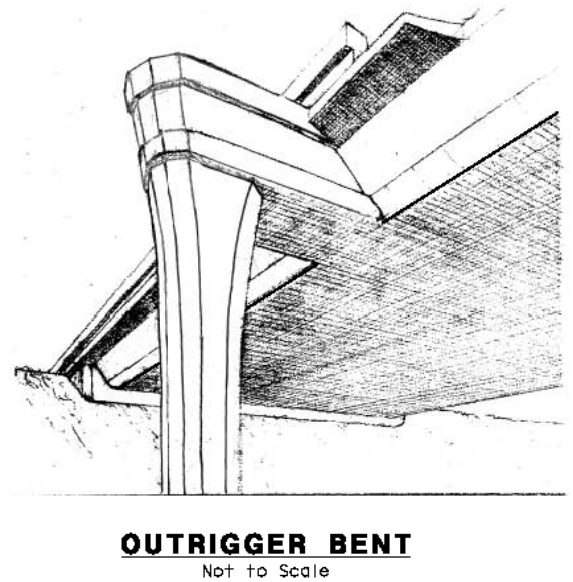
RCTC
4080 LEMON STREET
RIVERSIDE, CA 92501

PARSONS
3200 E GUASTI ROAD, SUITE 200
ONTARIO, CA 91761

- NOTE:**
- I-15 structures include Southwest Express Viaduct (15/91).
 - For bridge widening on one side only, match exterior girder shape to the existing one from the opposite side.



EXTERIOR GIRDER TYPE	"a"	"b"
Segmental	4 Max	1
All other Types	4	1



I-15 STRUCTURES

DRAFT

DESIGN OVERSIGHT	DESIGN BY	CHECKED	PREPARED FOR THE STATE OF CALIFORNIA	BRIDGE NO. 56-XXXX	SR-91 CORRIDOR IMPROVEMENT PROJECT
SIGN OFF DATE	DETAILS BY	CHECKED	Department of Transportation	PROJECT ENGINEER Mohsen Moheeni	
DESIGN DETAIL SHEET (ENGLISH) (REV. 06-01-09)	QUANTITIES BY	CHECKED	CU EA	POST MILE	STRUCTURE AESTHETIC DETAILS No. 4

ORIGINAL SCALE IN INCHES FOR REDUCED PLANS: 0 1 2 3

DISREGARD PRINTS BEARING EARLIER REVISION DATES

REVISION DATES (PRELIMINARY STAGE ONLY)

DATE PLOTTED => DATE

USER NAME => USER